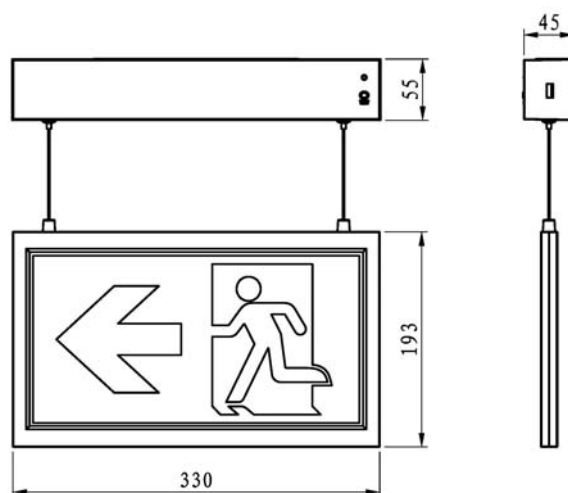


Photo and Dimension



Feature

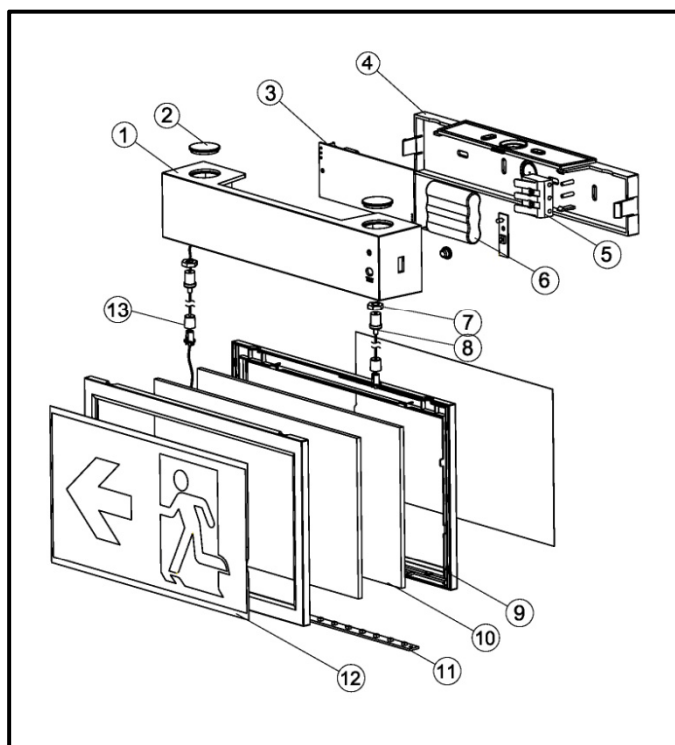
- Compact and decorative design.
- LED self contained luminaire with manual test and AUTO test optional.
- Ni-cad and Ni-MH battery optional.
- Single and double face universal.
- Replaceable pictogram design, including arrow right, left, down pictograms in package.
- Low operation cost via low power consumption.
- Maintained and non-maintained operation changeable.
- Material of luminaire compliant with the glow wire test at temperature of 850°C.
- RoHS compliance.

Technical Specification

Rated Power Supply	220-240VAC 50/60Hz
Power consumption	Max. 3.5W
Charge time	24 hours
Discharge duration	1hour/3hours
Changeover voltage	144-187VAC
Test facility	Manual test and AUTO test, DALI interface available
Viewing distance	30m(EU standard)
Operation	Maintained and Non-maintained
Mounting	Wall mounting and Ceiling mounting
LED	SMD 2835, CCT 6000K, CRI>70
Normal flux	32lm

Luminance of safety sign	>15cd/m ²
Degree of protection	IP20
Insulation Class	Class II
Housing material	ABS
Ambient temperature	-5°C...+45°C
Certification	CE

Product Exploded



No.	Parts Name	Q'Y	Material
1	Housing	1pc	ABS
2	Hole plug	2pcs	ABS
3	Main PCBA	1pc	
4	Back plate	1pc	ABS
5	Terminal block	1pc	PA66
6	Battery	1pc	
7	Nut	2pcs	Steel
8	Wire locker	2pcs	PC
9	Frame	2pcs	ABS
10	Light guide	2pcs	PMMA
11	LED PCBA	1pc	
12	Pictogram	4pcs	PP
13	Connector	2pcs	PC

Order Guide

	Emergency Duration	Test Function	Battery
	1H : 1hour 3H : 3hours	MT : Manual test AT : AUTO test DA : DALI interface (3hour duration, MH battery only)	CD : Ni-cad battery MH : Ni-Mh battery

Model List and Electric Rating

Model Number	Input Voltage	Charge Duration	Discharge Duration	Battery	Power Consumption	LED
1H/MT/CD	220-240VAC 50/60Hz	24H	1H	Ni-cad 3.6V 0.6Ah	3.5W Max	SMD 2835 6000K
3H/MT/CD	220-240VAC 50/60Hz	24H	3H	Ni-cad 3.6V 0.9Ah	3.5W Max	SMD 2835 6000K
1H/AT/CD	220-240VAC 50/60Hz	24H	1H	Ni-cad 3.6V 0.6Ah	3.5W Max	SMD 2835 6000K
3H/AT/CD	220-240VAC 50/60Hz	24H	3H	Ni-cad 3.6V 0.9Ah	3.5W Max	SMD 2835 6000K
1H/MT/MH	220-240VAC 50/60Hz	24H	1H	Ni-Mh 3.6V 0.6Ah	3.5W Max	SMD 2835 6000K
3H/MT/MH	220-240VAC 50/60Hz	24H	3H	Ni-Mh 3.6V 0.9Ah	3.5W Max	SMD 2835 6000K
1H/AT/MH	220-240VAC 50/60Hz	24H	1H	Ni-Mh 3.6V 0.6Ah	3.5W Max	SMD 2835 6000K
3H/AT/MH	220-240VAC 50/60Hz	24H	3H	Ni-Mh 3.6V 0.9Ah	3.5W Max	SMD 2835 6000K
3H/DA/MH	220-240VAC 50/60Hz	24H	3H	Ni-Mh 3.6V 2Ah	3.5W Max	SMD 2835 6000K

Pictogram Pack



Arrow right 1pc



Arrow left 1pc



Without Arrow 1pc



Blank 1pc

Packaging

